



**WINDSORONE EXTERIOR
CRAFTSMANSHIP PAYS TRIM BOARD**

INSTALLATION

— AND MAINTENANCE MANUAL —



WindsorONE EXTERIOR TRIM BOARD INSTALLATION & MAINTENANCE MANUAL

WindsorONE.com, call us at: 888.229.7900 ©WindsorONE 2022 (02.28.2022)

2 TYPES OF BOARDS

Check the Ink Stamp to tell the difference



ALL WindsorONE BOARDS ARE STRAIGHT TIGHT & TRUE

Boards are made of real wood, finger jointed and coated with three coats of acrylic latex primer. WindsorONE Traditional Boards can be used for both interior and exterior use. The back of all WindsorONE Traditional boards contain an ink stamp ("WindsorONE Traditional") to be easily identified.

WindsorONE Traditional  MANUFACTURED IN THE USA



30 YEAR WARRANTY* PROTECTS AGAINST ROT, INSECTS AND MOLD

Boards are made of real wood, finger jointed and coated with three coats of acrylic latex primer. All boards are protected with a 30 year warranty against rot, insects & mold. WindsorONE Protected Boards can be used for both interior and exterior use. The back of all WindsorONE Protected boards contain an ink stamp ("WindsorONE Protected") to be easily identified.

WindsorONE Protected  MANUFACTURED IN THE USA

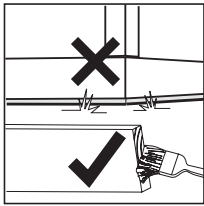


WindsorONE EXTERIOR TRIM BOARD INSTALLATION & MAINTENANCE MANUAL

WINDSORONE
CRAFTSMANSHIP PAYS

IMPORTANT: This manual includes the following 3 parts:

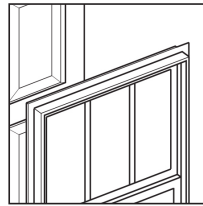
I. EXTERIOR INSTALLATION (p. 1-17)



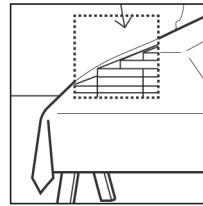
PREFACE &
THE DO'S & DON'T'S



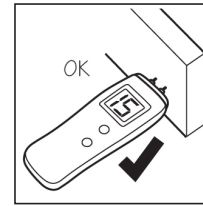
APPROVED USES



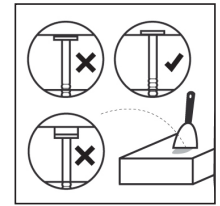
BEFORE YOU BEGIN



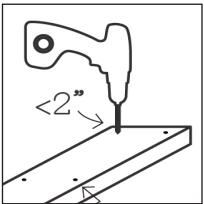
STORAGE



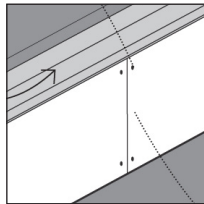
MOISTURE
CONTENT



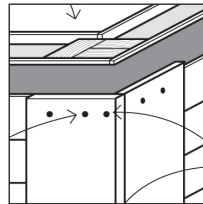
FASTENERS



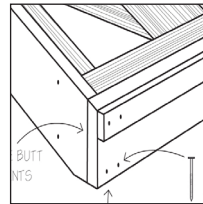
FASTENING
REQUIREMENTS



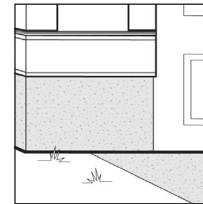
BUTT JOINTS



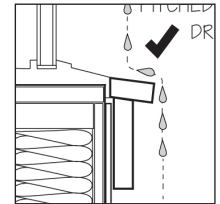
CORNER BOARDS



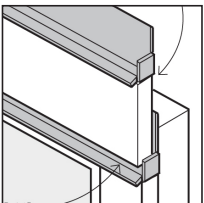
FASCIA, RAKE



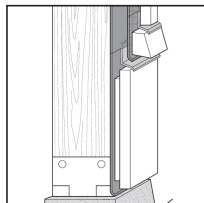
CLEARANCE



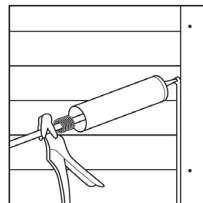
HORIZONTAL
PROFILES



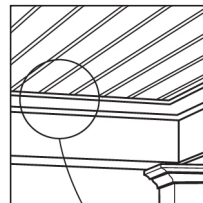
FLASHING,
HORIZONTAL CHANGES



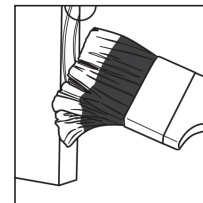
DECK &
COLUMN WRAPS



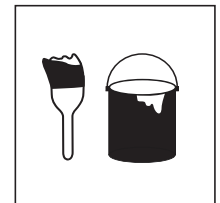
CAULKING



BEADBOARD
CEILING & SOFFITS



PRIME ALL CUTS



PAINTING TRIM

II. MAINTENANCE (p. 18-20)

III. WARRANTIES WindsorONE® Protected Trim Boards p. i-ii, WindsorONE® Traditional Trim Boards p. iii-iv

Failure to install or maintain WindsorONE Trim Boards in accordance with applicable building codes and these instructions may affect its performance and void the limited warranty.

I. EXTERIOR INSTALLATION

Instructions for WindsorONE Trim Boards

PREFACE: Controlling Moisture

Design and construction considerations; every building structure should be designed and constructed to minimize any possible infiltration of moisture. **Moisture infiltration can be reduced & managed by incorporating construction practices that:**

- 💧 Do not allow moisture to accumulate for extended periods without runoff;
- 💧 Minimize moisture penetration by sealing & flashing
- 💧 Allow water that has penetrated the exterior envelope to easily drain away from the structure.

The use of flashing around wall penetrations, such as around window and door openings, can reduce moisture, but the performance of any building system depends on how its entire design and construction addresses local environment and climate conditions, building codes, and product and material limitations. Design and installation of flashing and sealing systems are the responsibility of the architect, contractor and installer, not that of the manufacturer of the building materials.

BEST PRACTICES:

for using WindsorONE Trim Boards on the exterior

WindsorONE Trim Boards are manufactured to give years of satisfaction and beauty to owners of elegant homes. The best service will result from installation according to traditional “best practices” for wood construction. Besides following the Installation Instructions and Maintenance Instructions (next sections), all installers of WindsorONE Trim Boards should follow these industry “best practices.”

✘ THE DO NOT LIST:

- ✘ Do not use for structural support purposes.
- ✘ Do not use trim for siding, decking, railing, fences, planters or trellises.
- ✘ Do not allow to be in contact with the ground.
- ✘ Do not backfill or place sod, mulch, etc., closer than 8”.
- ✘ Do not place in direct contact with concrete, masonry, patios, porches, and/or roofs.
- ✘ Do not install where water sprinklers can regularly wet.
- ✘ Do not install in a manner to allow water to be entrapped behind WindsorONE boards.
- ✘ Do not use caulking sealant as a substitute for flashing.
- ✘ Do not install with moisture content over 18%.
- ✘ Do not paint over wet WindsorONE boards.
- ✘ Do not install directly over rigid foam insulation. Instead, use furring strips to create an air space and a building wrap directly against foam insulation.
- ✘ Do not assume your installation crews know what to do.

✔ THE DO LIST:

- ✔ Do adhere strictly to WindsorONE Trim Boards installation and maintenance instructions.
- ✔ Do follow the local building code requirements.
- ✔ Do follow the highest building industry construction standards.
- ✔ Do install trim to create easy drainage planes to shed water accumulations.
- ✔ Do be aware of potential sources of moisture penetration, (including condensation), around the building, and modify the design accordingly.
- ✔ **Do re-coat all surfaces exposed by jobsite field cuts during installation.**
- ✔ Do paint within 1 year of installation.
- ✔ Do re-paint in accordance with the paint manufactures written label instructions.
- ✔ Do make sure your installation crews know how to install WindsorONE Trim Boards properly.

1. APPROVED USES



✓ RECOMMENDED FOR:

- | | | |
|---------------|----------------|----------------|
| ✓ WINDOW TRIM | ✓ RAKE | ✓ BAND BOARD |
| ✓ FASCIA | ✓ CORNER BOARD | ✓ COLUMN WRAPS |
| ✓ SOFFIT | ✓ DOOR TRIM | |

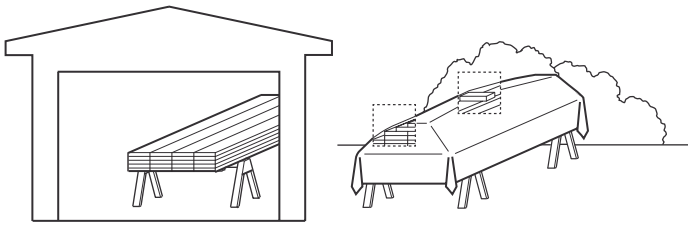
WindsorONE Trim Boards are a nonstructural decorative trim product and should not be used where structural lumber properties are required. The trim is designed to be applied to structural framing, sheathing and other materials. The diagram indicates the approved applications for WindsorONE Trim Boards. Using WindsorONE Trim Boards for applications not

✗ DO NOT USE FOR:

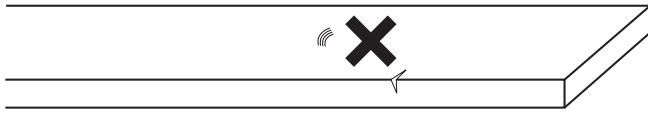
- | | | |
|--------------|-------------|---------------------|
| ✗ HAND RAILS | ✗ TRELLISES | ✗ FENCES |
| ✗ PLANTERS | ✗ DECKING | ✗ STAIRS (EXTERIOR) |
| ✗ PERGOLAS | ✗ SIDING | |

identified above voids the limited warranty. Products intended for interior applications (WindsorONE Moldings) should not be used for exterior applications unless they are in areas such as porches and under roof overhangs. They will not stand up to the weather and are certain to fail. Their use may also cause the failure of adjacent products.

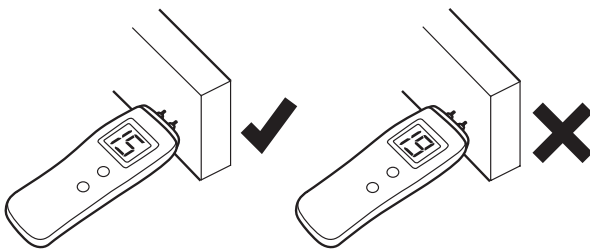
2. BEFORE YOU BEGIN



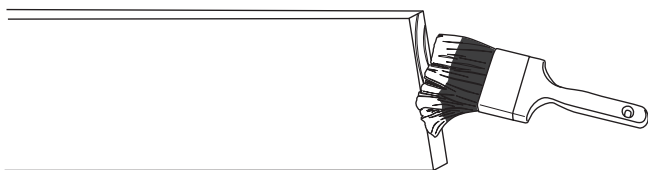
STORAGE: Before installation, protect WindsorONE Trim Boards from exposure to direct sunlight, water saturation, & dirt. Do not allow it to come in contact with ground. (See page 5 for storage instructions.)



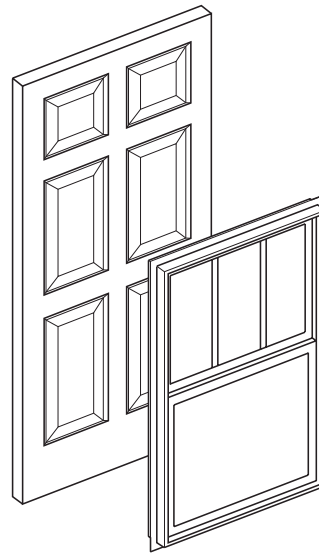
AVOID MARRING/SCUFFING: During cutting & handling, avoid marring & scuffing WindsorONE Trim Boards.



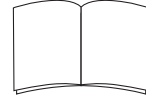
NEVER ABOVE 18% MOISTURE: Before installation, ensure that the WindsorONE Trim Boards are dry. Do not install Trim that has a moisture content above 18%. (See page 5 for more on moisture content.)



PRIME ALL CUTS: After cutting, re-coat all exposed surfaces with 2 coats of high quality exterior paint to 3 mils of dry finish. (See pages 16-17 for priming instructions.)



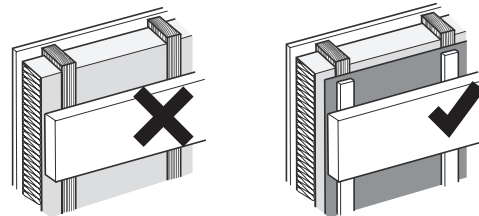
INSTALLED AS PER
THE MANUFACTURER'S
INSTRUCTIONS



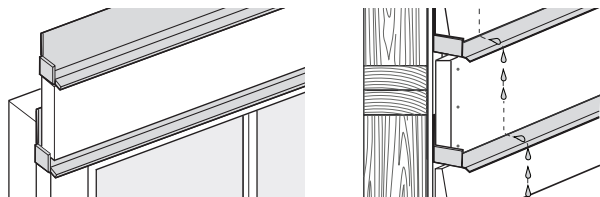
& INSTALLED
TO CODE

WINDOW/DOORS INSTALLED CORRECTLY:

Ensure window and doors are installed in accordance with the manufacturer's instructions and local building code specifications, before trimming with WindsorONE Trim Boards.

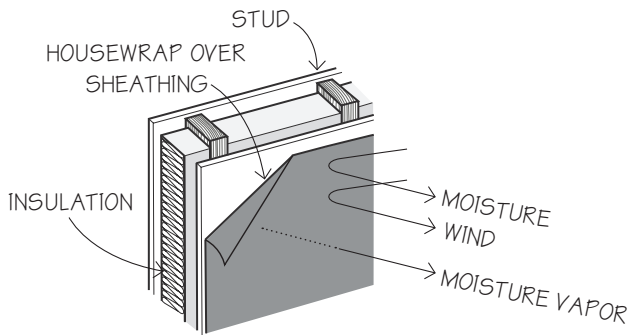


NOT IN CONTACT WITH FOAM: Ensure that WindsorONE Trim Boards are not installed directly over rigid foam insulation. Use furring strips to create an air space between the rigid foam and Trim Boards.



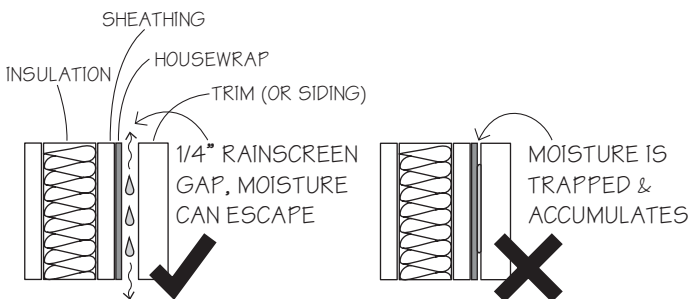
FLASHING: Ensure flashing is installed at all windows, doors, band boards, fascia, skirts, posts, and other areas where water must be directed away from the building. (See pages 10-12 for flashing instructions.)

2. BEFORE YOU BEGIN



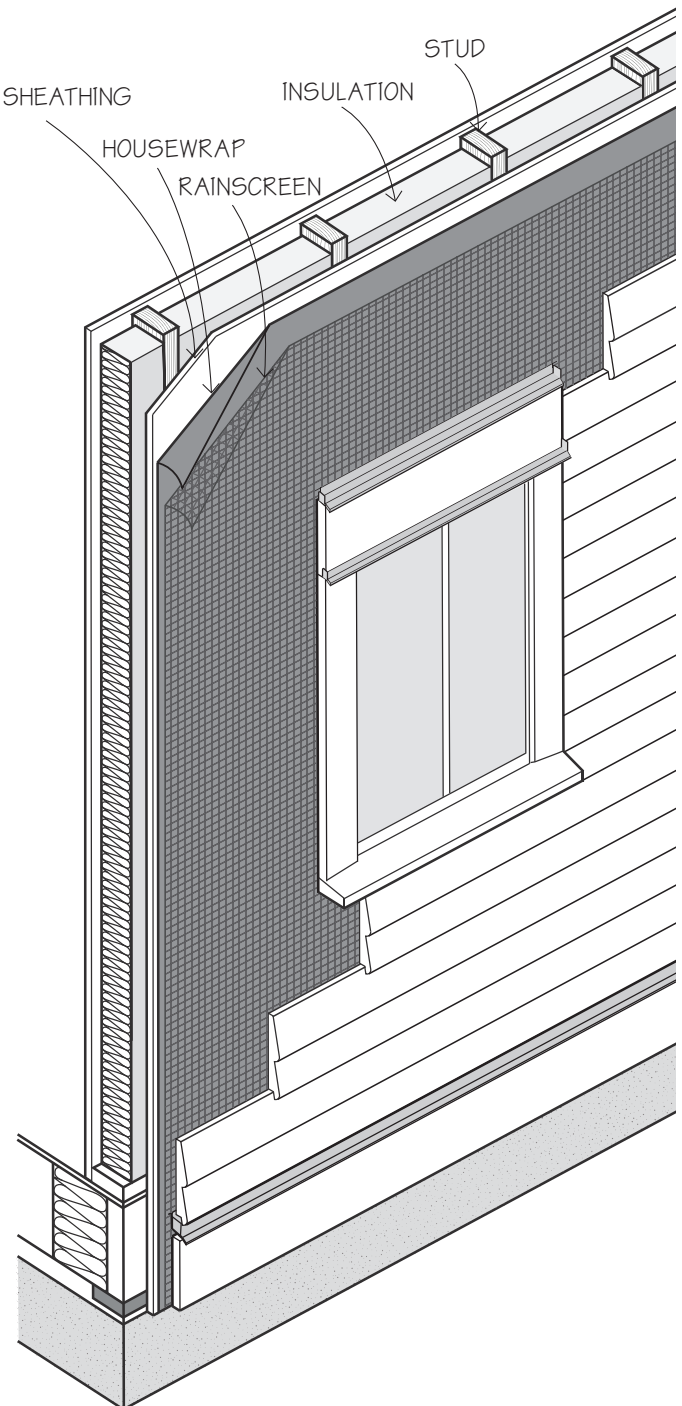
CREATE A WEATHER RESISTANT BARRIER

HOUSEWRAP* is designed to help prevent exterior water intrusion into a wall assembly, while still allowing water vapor to pass to the exterior.



PREVENT WATER ACCUMULATION

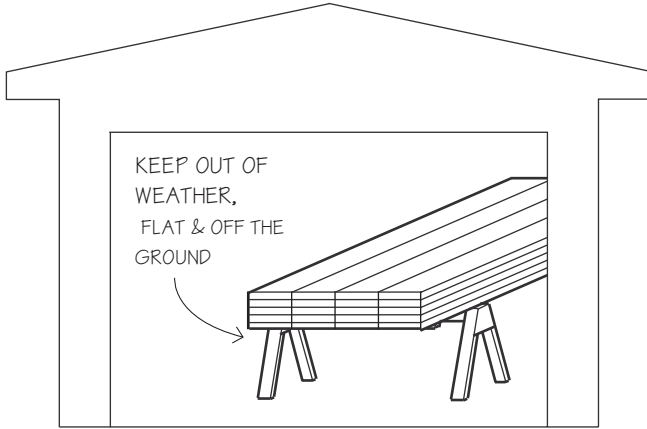
RAINSCREEN CONSTRUCTION* creates an air space between the housewrap and the back of siding & trim, and is recommended to provide drainage for water that has entered behind the siding and trim.



***ALWAYS INSTALL MATERIALS ACCORDING TO MANUFACTURER'S INSTRUCTIONS!**

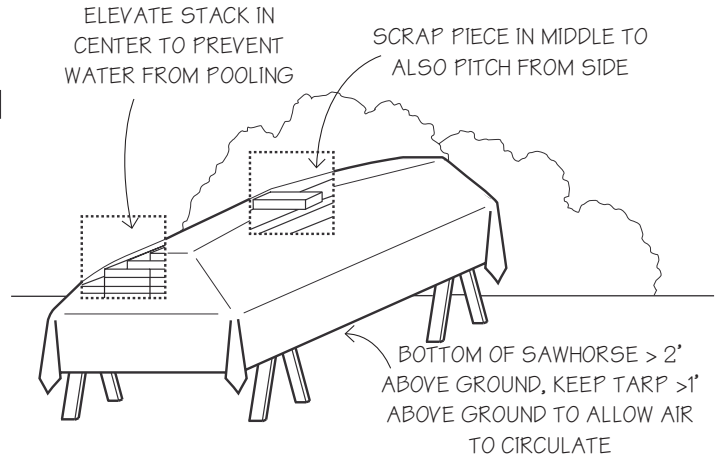
Ensure housewrap, rainscreen and all 3rd party materials are installed in accordance with the manufacturer's instructions and local building code specifications.

3. STORAGE



STORE IN ENCLOSED BUILDING

Until installed, WindsorONE Trim Boards need protection from direct sunlight, water saturation, and dirt. Store the WindsorONE Trim Boards flat and off the ground on stringers so that moisture is not absorbed through the bottom boards of the stack.



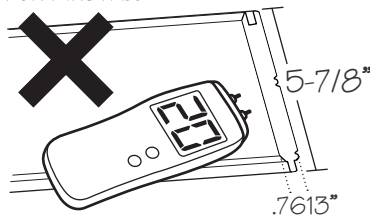
EXTRA PRECAUTIONS IF OUTSIDE

Protect with a waterproof covering elevated in the center so that water does not pool on the cover. Do not completely seal the bundle, as good air circulation is required. Ideally, WindsorONE Trim Boards should be stored in an enclosed building such as a garage prior to use.

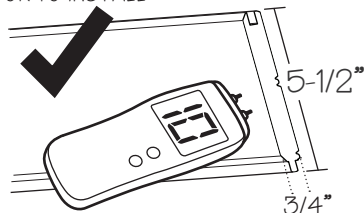
4. MOISTURE CONTENT

MOISTURE CONTENT on a 1x6 BOARD:

DON'T INSTALL



OK TO INSTALL



APPROX. RELATIVE HUMIDITY	APPROX. MOISTURE CONTENT
0%	0%
25%	5%
50%	9%
75%	14%
99%	23-30%

Note: The board's dimension will increase with an increased change in moisture content.

NEVER ABOVE 18% Do not install WindsorONE Trim Boards with moisture content higher than 18%, and ensure this by use of a moisture meter to gauge moisture content levels for all installations. WindsorONE Trim Boards are shipped with an average moisture content of 10% to 14%. Storing material in humid environments or near concrete or dirt will increase the moisture content. Installing material in unheated or unconditioned environments during wet winter or summer months will also increase moisture content, resulting in expansion and potential joint failure. Condition the Trim Board material on the jobsite by allowing it to adjust to an equilibrium moisture condition.

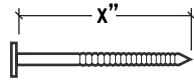
Learn more at www.windsorone.com/moisturecontrol

5. FASTENERS



TYPE

Stainless steel and galvanized nails are recommended. Use No. 304 for general applications and No. 316 for seacoast exposures. Other types of fasteners are not recommended; they can rust and disintegrate resulting in iron stains and streaks. For best results use “split-less” ring shank stainless steel siding nails. These nails have thin shanks and blunt points to reduce splitting when fastening. Near edges and ends, nail holes may need to be pre-drilled to avoid splitting.



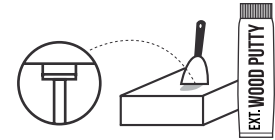
SIZE

Nails must be long enough to go through the underlying materials, such as sheathing and insulation, and penetrate into at least 1-1/4” of solid wood.



NAIL WITH CARE

Nails should be driven with care. Heavy nailing distorts the wood and may cause splitting. Like all wood products, WindsorONE Trim Boards should be hand nailed. The use of pneumatic fasteners is discouraged for exterior use; but, if used, they must employ stainless steel or galvanized nails and a flush nailing device to ensure that nails are driven snug with the surface. Overdriven nails that are not filled with exterior putty will void the limited warranty.

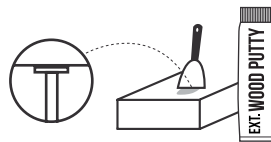


OVERDRIVEN

Overdriven nails must be remedied immediately. Fill overdriven nail holes with exterior grade wood putty specifically designed for filling exterior nail holes. Allow putty to dry, sand smooth with 100 grit sandpaper and spot prime before painting. Over time, spackling putty may need to be replaced or touched up. note:



Flush nailing is key on S1S2E boards, as putty would detract from the rough sawn surface texture.



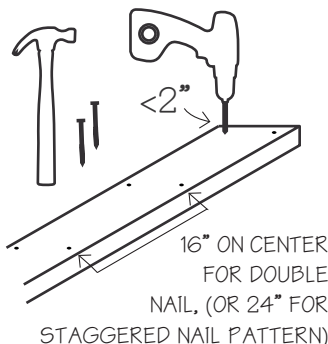
COUNTERSUNK

In some situations you may choose to intentionally countersink nails. If so, follow the same procedure to fill the cavity as with **overdriven** nails.

6. FASTENING REQUIREMENTS

NOTE:

PRE-DRILL TO AVOID SPLITTING IF <2” FROM THE EDGE

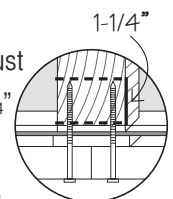


NOMINAL WIDTH	NAILS PER FRAMING MEMBER
2"	1
3"	1
4"	2
5"	2
6"	2
8"	2
10"	3
12"	3

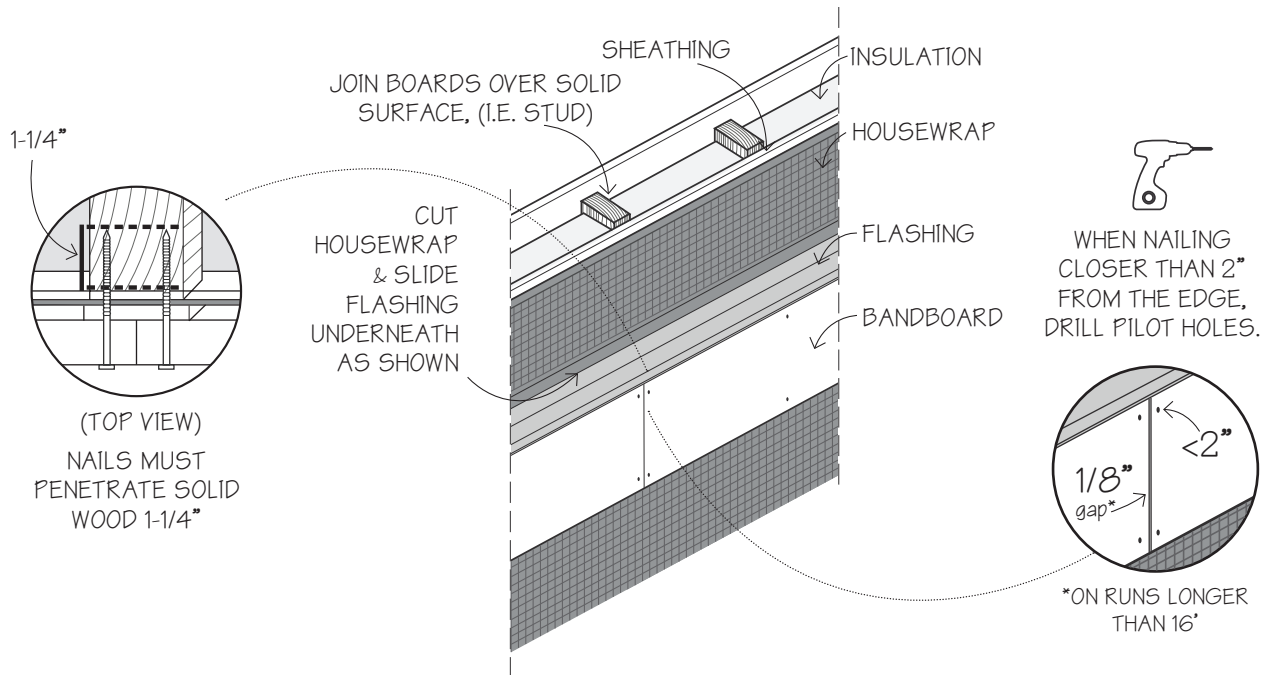
For fascia application, WindsorONE Trim Boards must be double nailed and fastened at a maximum of 24” on center. For all other applications, fasten trim 24” apart using a staggered nail pattern or double nail 16” on center. Double nail joints and do not nail any closer than 2” from the edge of material without drilling pilot holes.

Stagger nails on either side of trim. For 10” & 12” triple nail joints and double nail stagger patterns. Follow the nailing guidelines set out in this table for the various WindsorONE Trim products.

note: Nails must penetrate 1-1/4” into the solid wood framing.



7. BUTT JOINTS

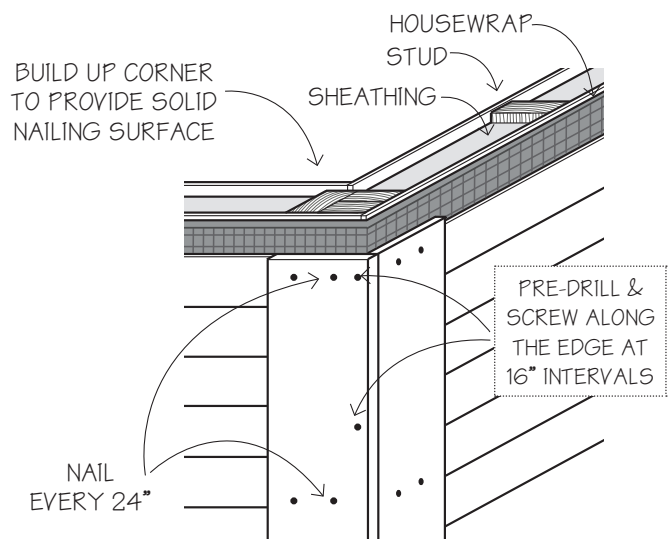


Joints over framing. All joints where two pieces meet end to end must occur over framing. Butt joints are recommended for both horizontal and vertical trim. In runs of 16' or less, the ends should lightly touch. Runs over 16 feet

require a gap of 1/8 inch, which should be sealed with exterior caulk. Attach to the framing members with two nails on each side of the joint. Drill pilot holes first to avoid splitting.

8. CORNER BOARDS

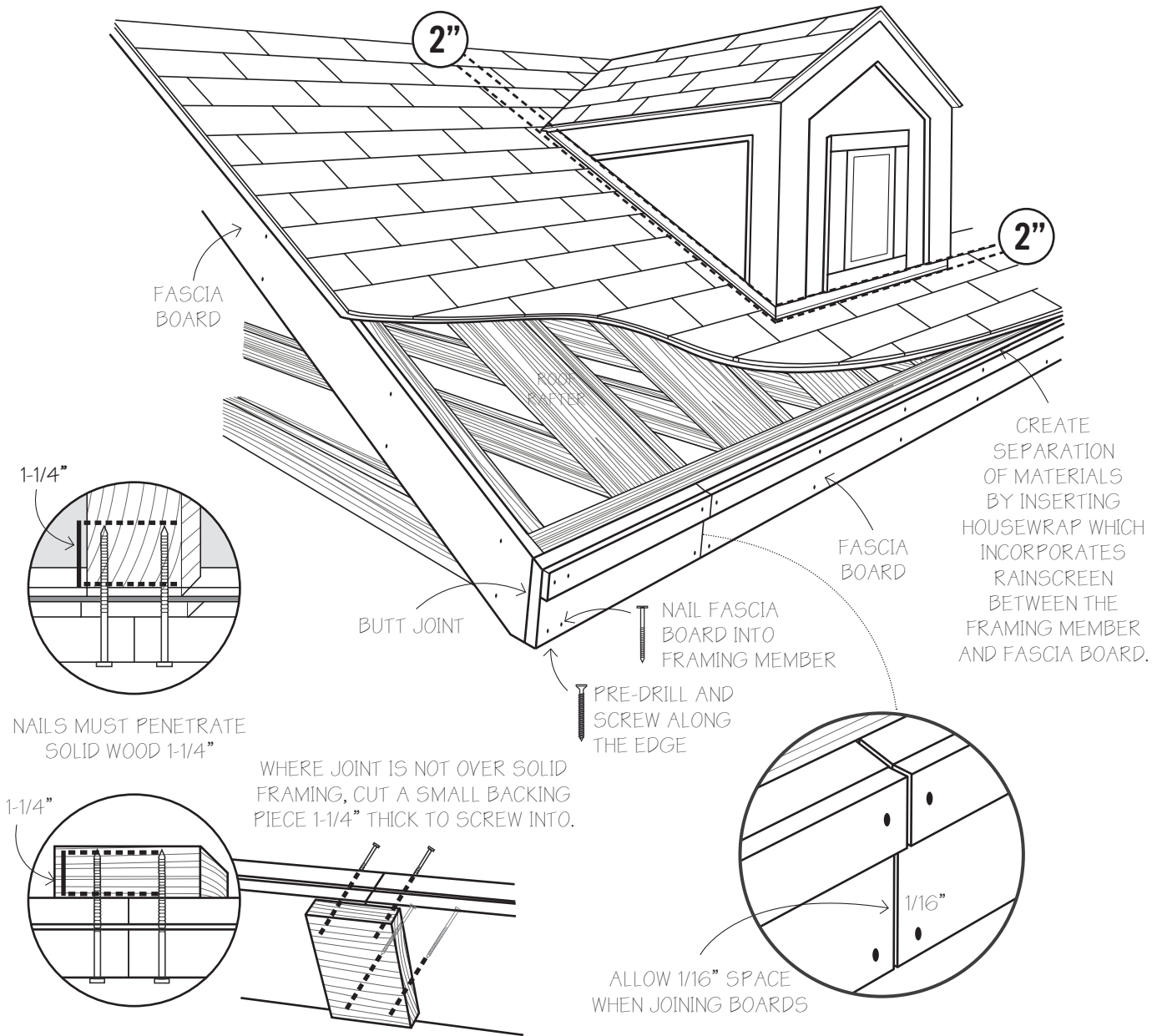
Create tight joints. Always ensure that fasteners penetrate solid framing members. To create a tight joint between the two corner boards, increase the nailing frequency along the outer side of the corner boards. Nail into strapping every 24" and pre-drill and fasten along the edge every 16" by pre-drilling holes and inserting stainless steel wood screws. Stainless steel trim-head screws will reduce the possibility of splitting and joint failure. Joints should be glued according to glue manufacturer's instructions for primed boards. Use high-quality, exterior polyurethane adhesives specifically designed for wood and wood substrates. Caulk wherever siding or other material is in contact with the corner boards.



9. CORNERS

FASCIA & RAKE BOARDS

MAKE SURE THAT THERE IS 2" OF CLEARANCE BETWEEN YOUR FASCIA AND ALL ROOFING MATERIALS

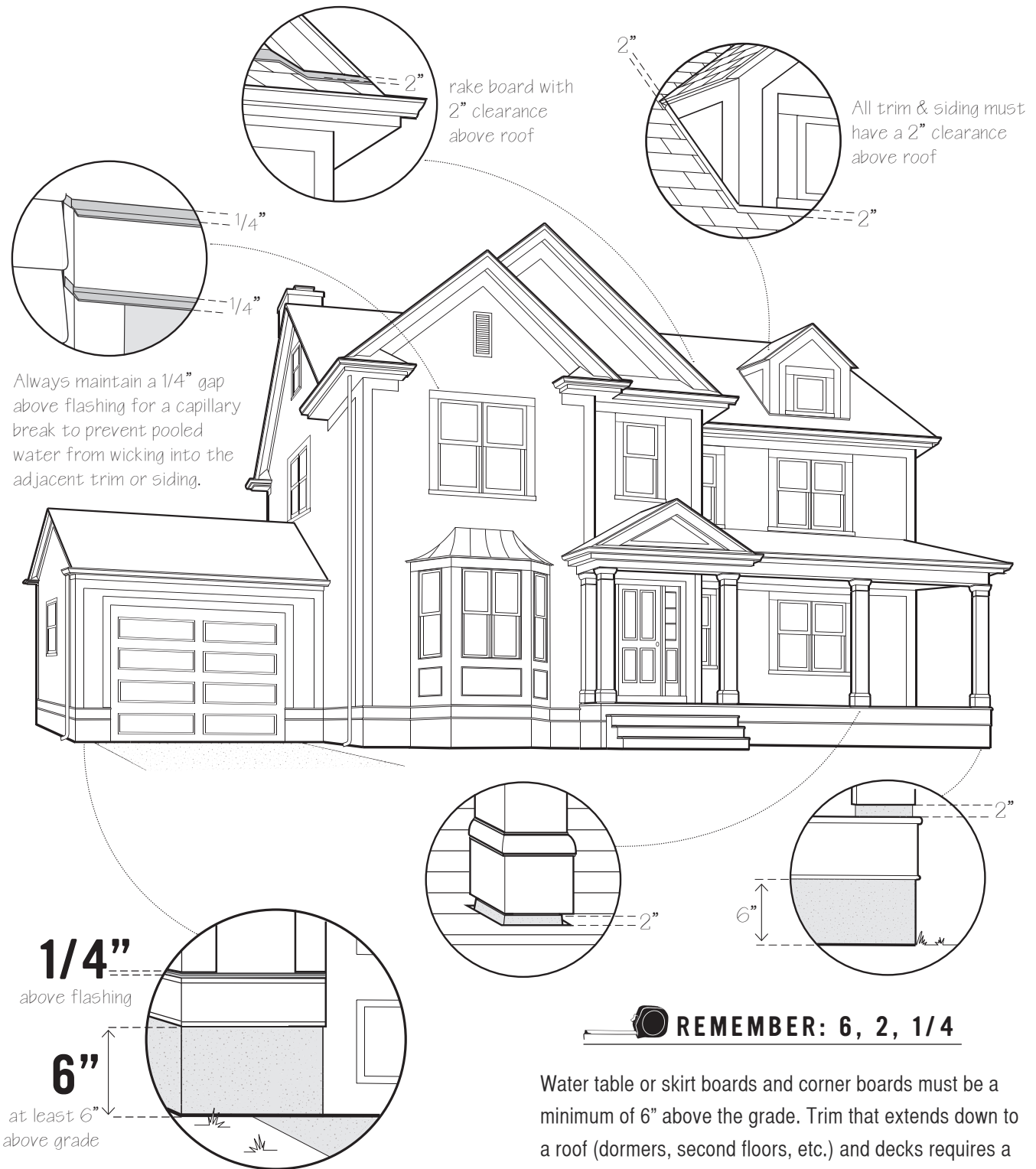


SECURE PIECES PROPERLY

When framing members (rafters, outlookers, etc.) are not located where WindsorONE Trim Board pieces join, install 1-1/4" solid blocking first and then nail the Trim to

it. Fasten from the face of one Trim member into the edge of another by pre-drilling pilot holes and inserting stainless steel wood screws.

10. CLEARANCE

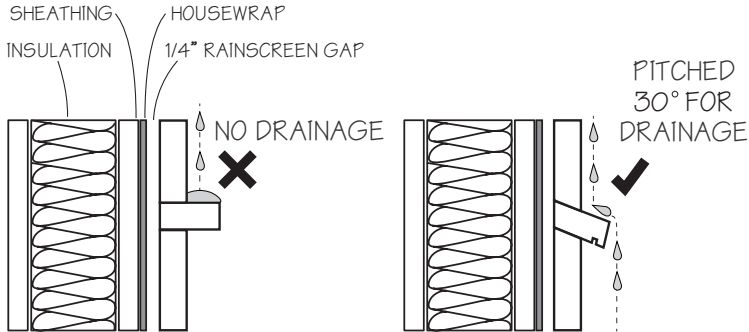


REMEMBER: 6, 2, 1/4

Water table or skirt boards and corner boards must be a minimum of 6" above the grade. Trim that extends down to a roof (dormers, second floors, etc.) and decks requires a minimum 2" gap to avoid wicking. Flashing is imperative, but maintain a 1/4" gap for a capillary break.

PITCH 30°

SLOPE HORIZONTAL PROFILES



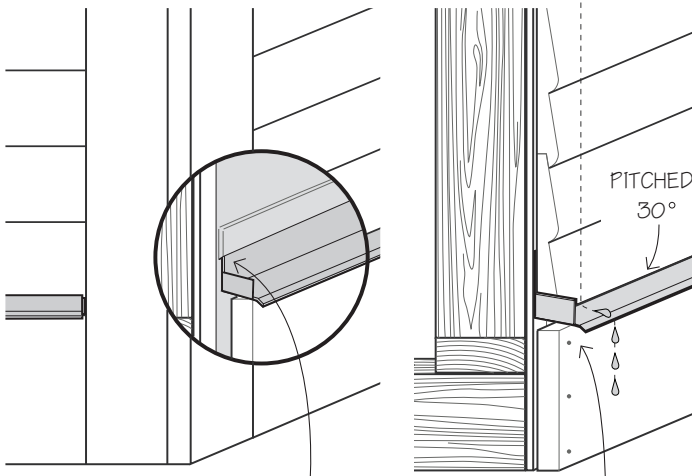
ENSURE DRAINAGE:

All horizontal unflashed profiles (e.g., window sills, water table Trim, bead and moldings) must be sloped to ensure drainage. These profiles should be pitched 30 degrees to drain water quickly.

12. FLASHING

AT OPENINGS & HORIZONTAL PROFILES

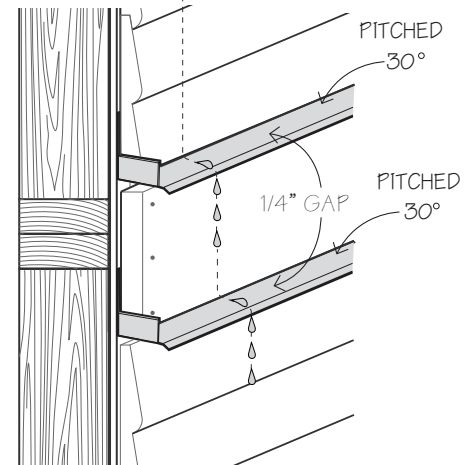
SKIRT BOARD/WATER TABLE:



CUT HOUSEWRAP AND SLIDE FLASHING UNDERNEATH

BEND FLASHING UP AT ENDS

BAND BOARD:

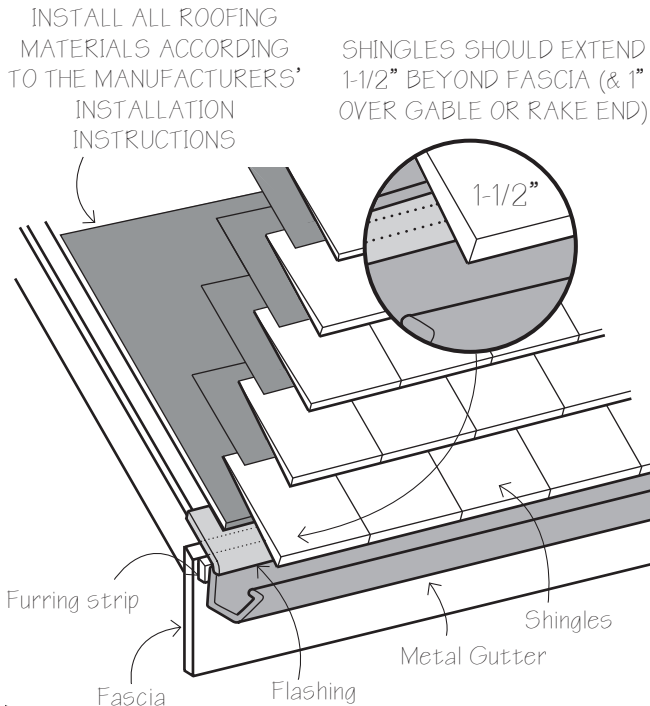


Proper flashing is imperative.

Flashing is an important line of defense against water in wall assemblies. Use flashing to intercept and direct the flow of water away from the building to designed drainage paths. Install horizontal flashing extending from the top of all windows

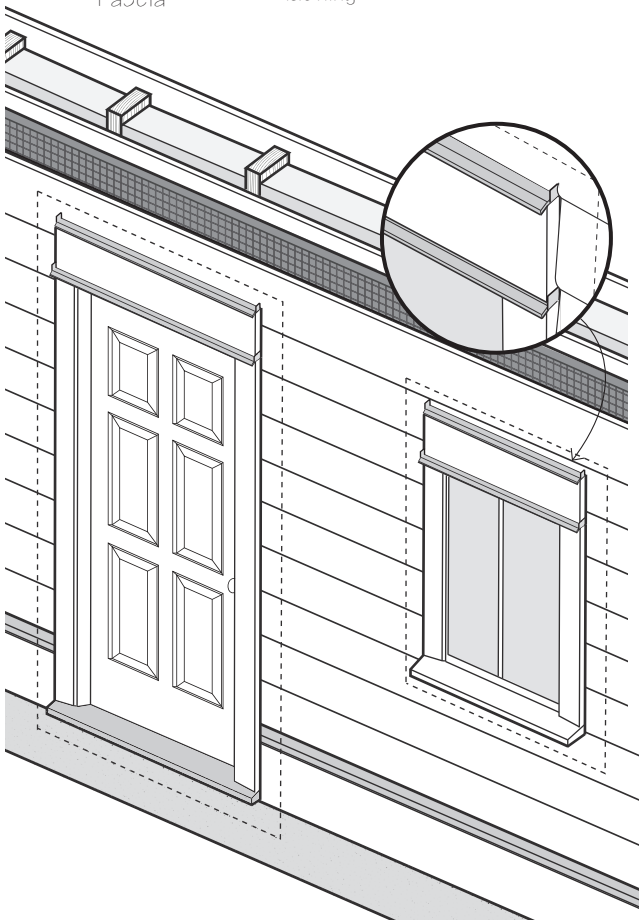
and doors and where there is any change in material or direction. The flashing should tilt downward (~30°) to allow water to drain away from the wall. Do not caulk where the flashing and Trim or other materials meet. Note that caulking in lieu of flashing is not acceptable.

12. FLASHING AT OPENINGS & HORIZONTAL PROFILES (continued)



FASCIA AT SHINGLE EDGE

Use a drip edge flashing to support the shingle edge and to provide a drip edge to prevent water from running back underneath the roofing shingles and down along the fascia and soffit. Preformed eaves flashing/drip edge should be installed under the starter course of the shingle roofing. If eavestroughs (rain gutters) are used, the flashing edge also helps to direct the water into troughs. Fascia flashing protects both the soffit and the fascia board, and provides a drip edge at the bottom edge to direct water away from the building. The use of rain gutters/eavestroughs is highly recommended to catch and redirect the flow of water down and away from walls.



DOOR & WINDOW FLASHING

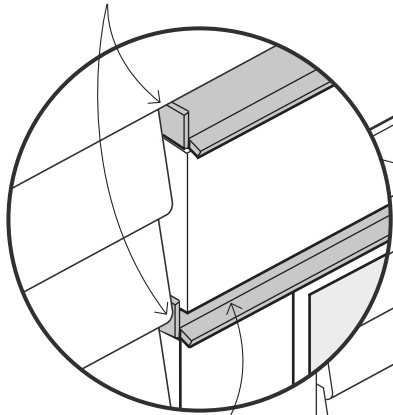
Flash window and door headers to intercept water from behind the siding and Trim and direct it away from the wall assembly. Moisture can enter the cavity behind siding as a result of:

- △ Water penetration around the siding & Trim;
- △ Water vapor diffusion; or
- △ Leakage of moist air from the interior.

Flashing above and below the head casing is the best method to direct water away from the window & door openings.

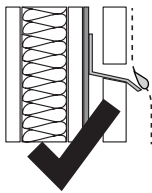
WINDOW CONSTRUCTION DETAIL

BEND FLASHING UP AT THE ENDS TO DIRECT WATER AWAY FROM THE END GRAIN OF THE HEAD CASING

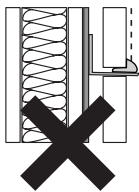


FILLER AND TOPS OF CASING LEGS SHOULD BE CUT AT 30° ANGLES AND FLASHED

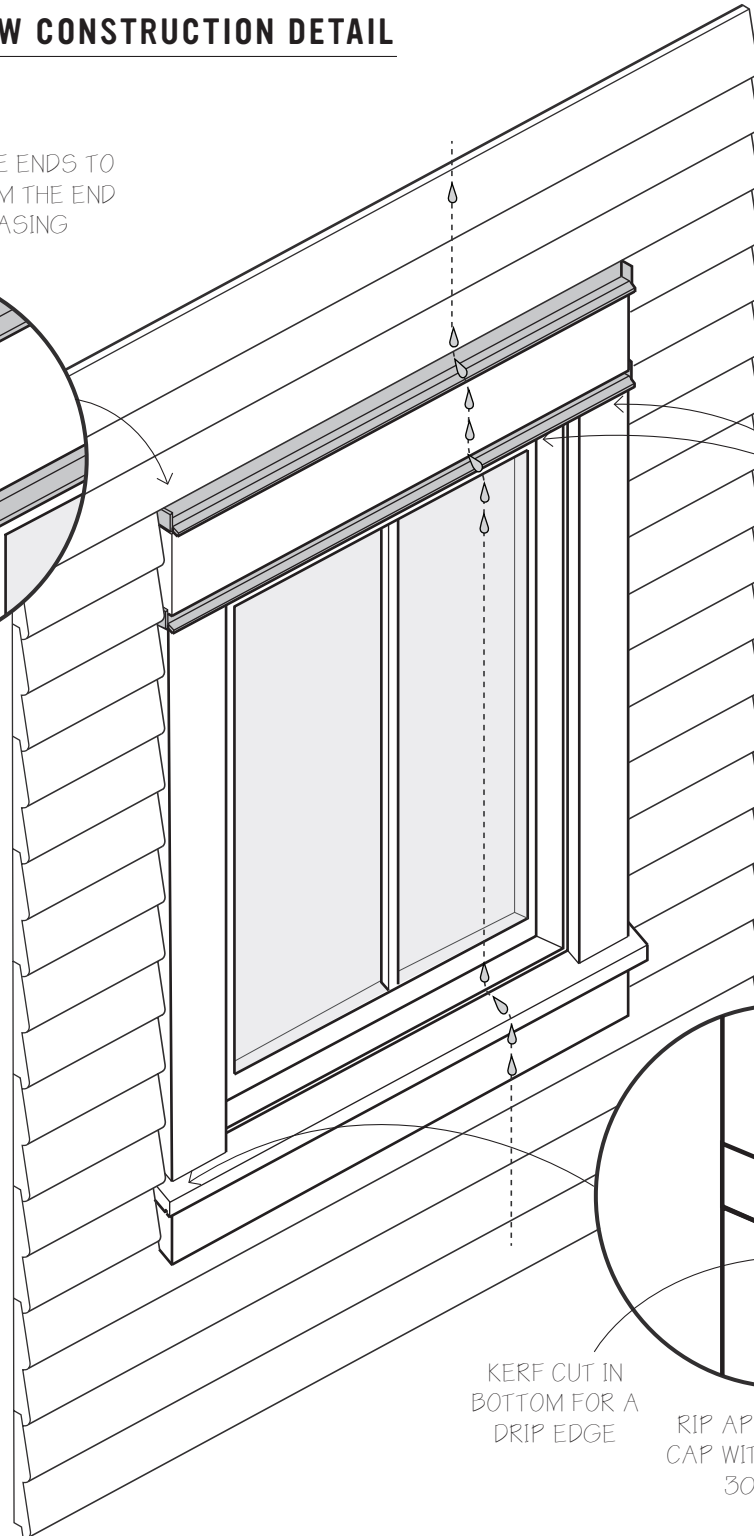
TRIM & SIDING INSTALLED 1/4" ABOVE FLASHING



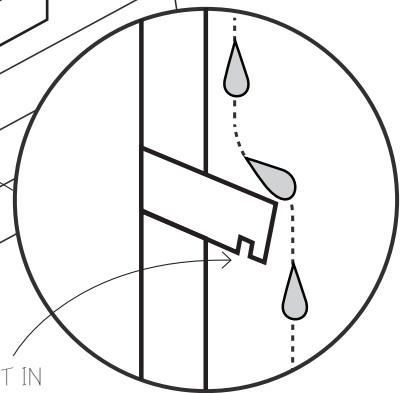
FLASHING ALSO BENT DOWN AT 30° ANGLE TO DEFLECT WATER AWAY FROM THE WALL ASSEMBLY



LACK OF 1/4" GAP AND 30° PITCH CAN TRAP WATER AGAINST WALL ASSEMBLY

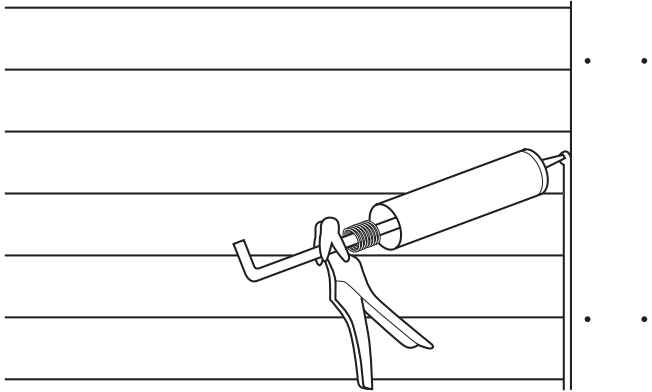


KERF CUT IN BOTTOM FOR A DRIP EDGE



RIP APRON & PITCH CAP WITH A MINIMUM 30° ANGLE

13. CAULKING

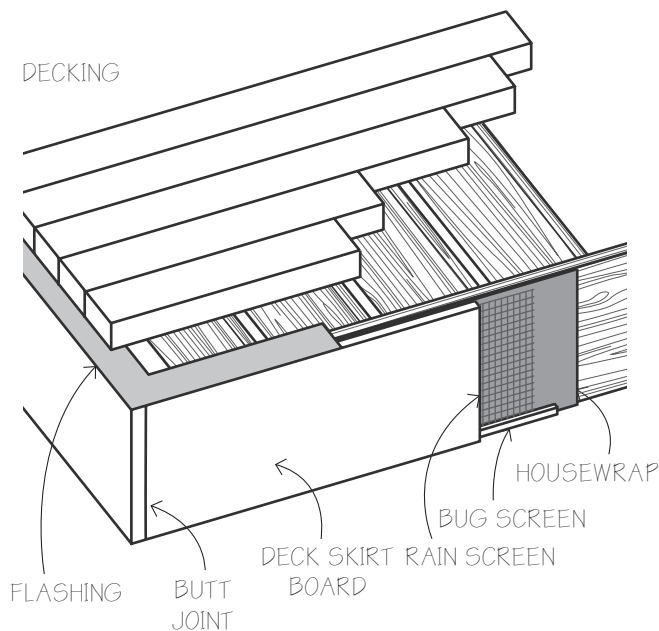


TYPE: Use exterior grade high-performance acrylic-latex, silicone, acrylic, or urethane caulks and sealants to seal gaps around windows, doors, corners, and other exterior joints that are exposed to potential water intrusion.

REQUIRES MAINTENANCE: Caulking is not a permanent solution and as such requires regular maintenance. If not inspected and maintained, caulking may fail and trap water, creating severe water problems. Do not rely on it as the only barrier to water penetration. Do not caulk areas that will prevent water from escaping the wall cavity (e.g., under windows and around flashing).

AVOID 3-SIDED ADHESION. The caulk should only adhere to the two surfaces that create the opening in the surface plane, not to any rigid substrate behind. For gaps wider than 1/4 inch, insert a backer rod into gaps where caulk seals are to be made, and then caulk over. In all cases, follow the caulking manufacturer's recommendations.

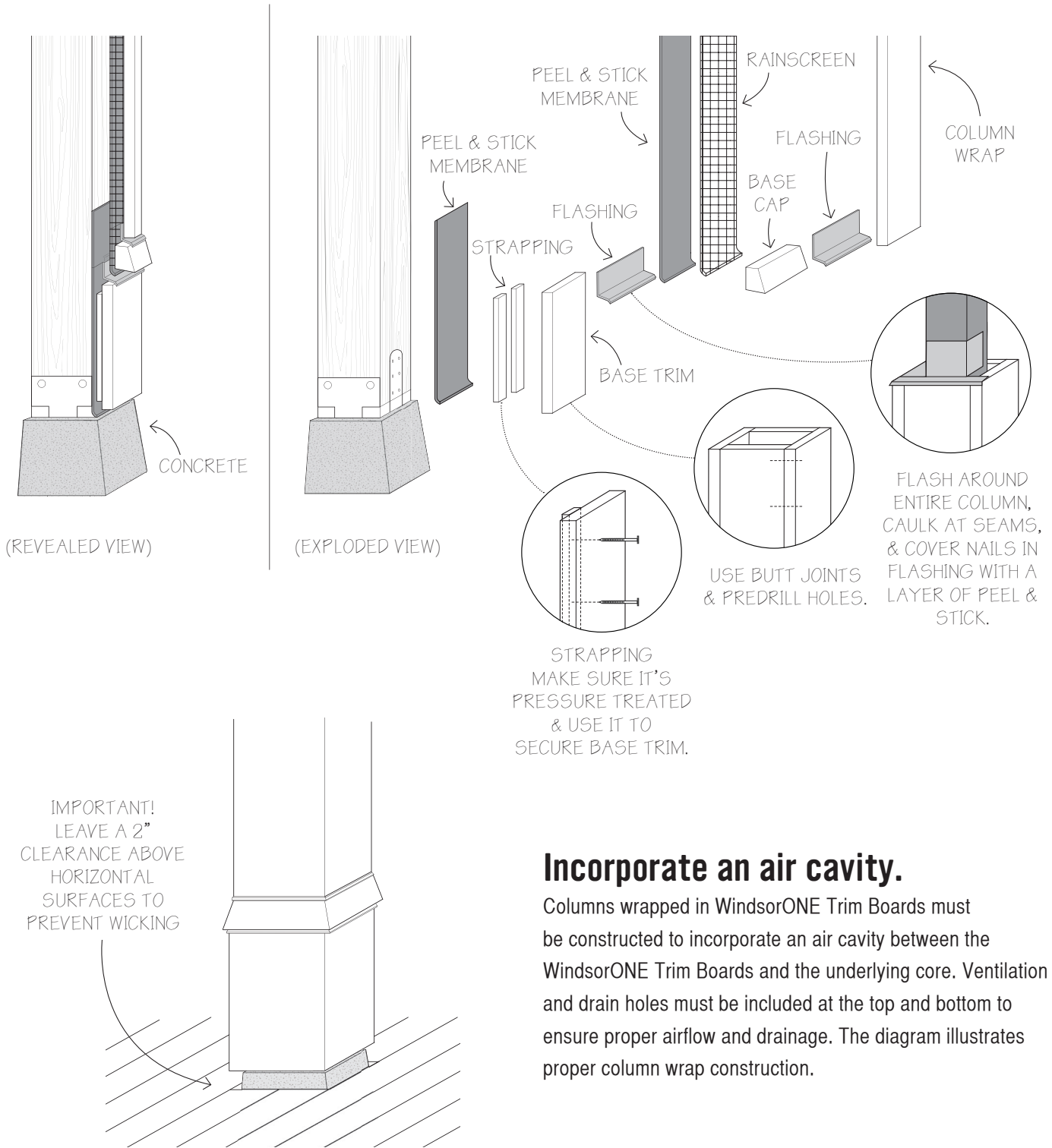
14. DECK & COLUMN WRAPS



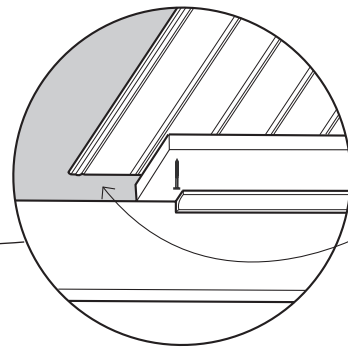
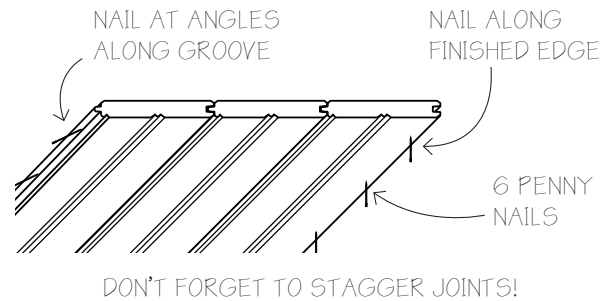
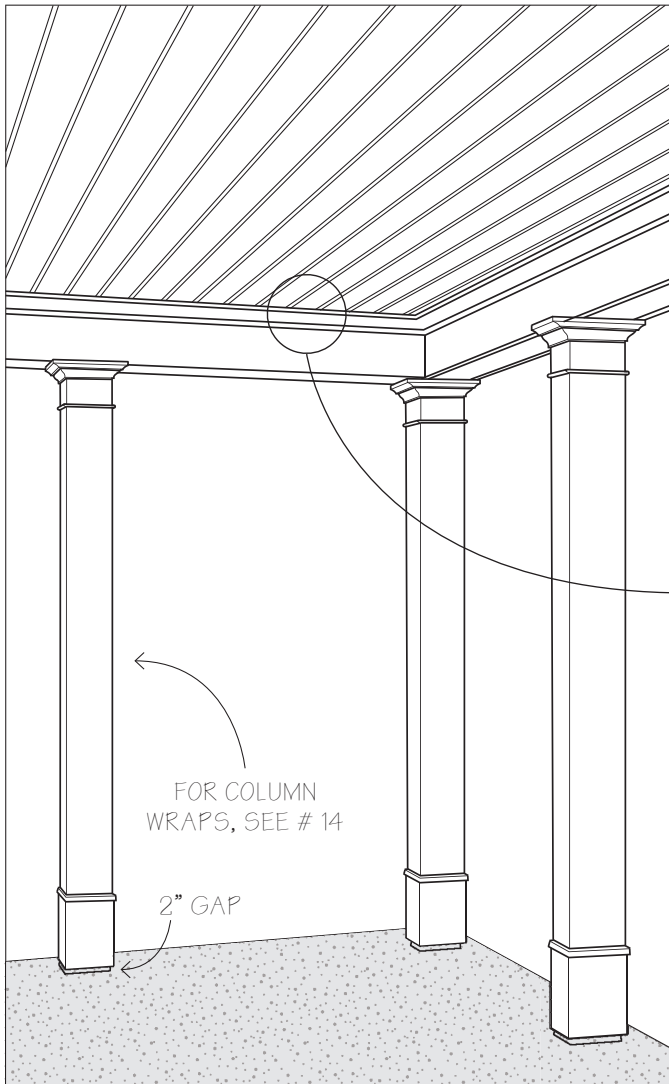
RAINSCREEN ON TOP OF HOUSE WRAP WITH BUG SCREEN AT BOTTOM OF JOIST.

Always apply housewrap. When using WindsorONE Trim to face building materials such as treated lumber, structural beams and posts, or any framing material, always apply housewrap before installing any finishing material. Where WindsorONE Trim Boards are used to finish rim joists, protect the top edge from water intrusion by applying a strip of self adhesive membrane over the rim joist and WindsorONE Trim Board. It is important that water not pool between the framing lumber and the decorative WindsorONE Trim Boards.

14. DECK & COLUMN WRAPS (continued)



15. BEADBOARD CEILING & SOFFITS



OTHER TIPS:

CHECK MOISTURE CONTENT: For the exterior, never install bead board with a moisture content higher than 18%. (For interiors, acclimate the beadboard until it reaches the in service moisture content of about 10%).

HOUSEWRAP: Prior to installing beadboards, soffits must be sheathed and wrapped with house wrap.

VENTILATION: When wrapping soffits and exterior ceilings, take care not to block attic ventilation mechanisms.

CHAMFER THE ENDS using a 45 chamfer bit on a router to accent the joints and allow the boards to move without affecting the overall appearance.

STAGGER JOINTS of beadboard in ceiling and soffits.

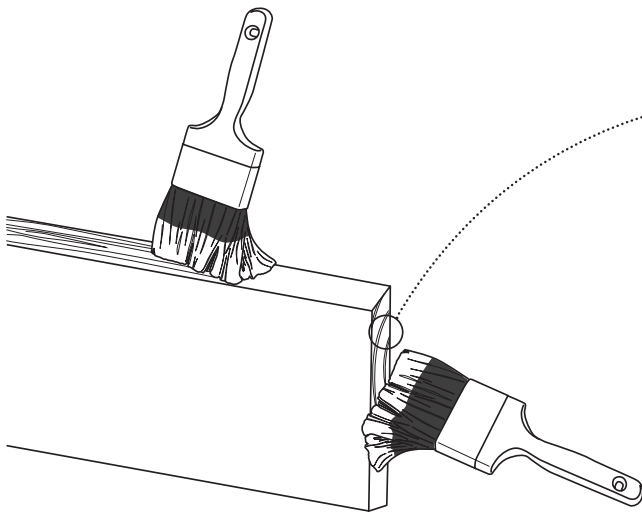
NO CAULK OR GLUE; Never caulk or glue beadboard tongue-and-groove joints.

NO BRADS UNLESS; Use brad nailers only for beadboard ceiling and soffits that are protected from the weather.

Always isolate beadboard from framing members and soffit/attic spaces. Moisture and humidity and any water intrusion will alter the moisture content of beadboard and could radically affect the installation.

Provide adequate ventilation for all beadboard installations, and use best building practices to provide for normal swelling and shrinkage. Further protect against adverse swelling and shrinkage by breaking up long spans with beams or other decorative trim.

16. PRIME ALL CUTS

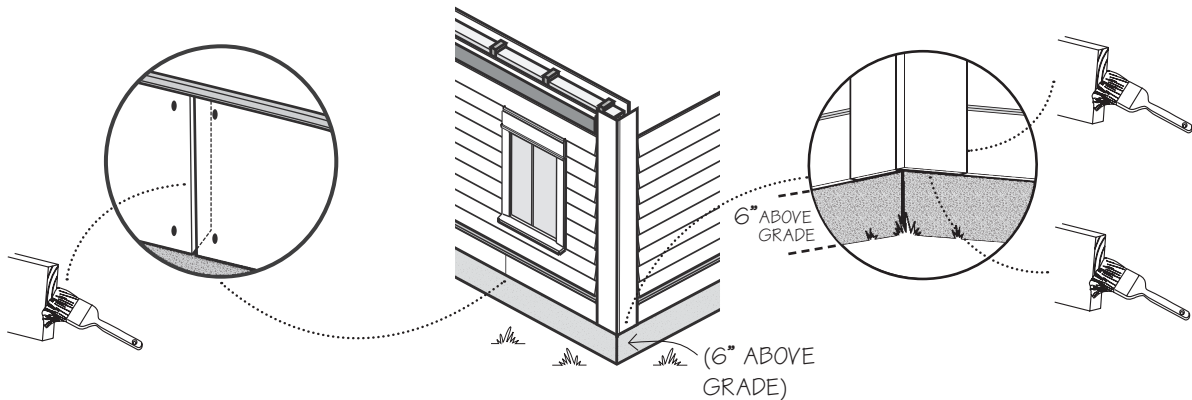


VASCULAR STRUCTURE

At a microscopic level, the grain structure of the wood substrate is like a stack of drinking straws and can absorb water more than 50 times faster than the other surfaces of a board. Priming all cuts mitigates water absorption & helps ensure a long lasting project.

PRIME ALL CUTS BEFORE INSTALLATION

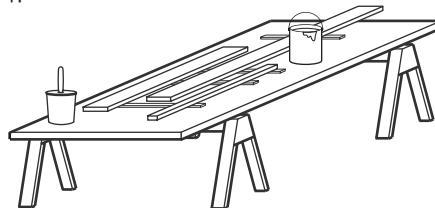
This includes cuts that can't be seen or may not be *directly* exposed to weather.



All cuts must be reprimed. Prior to installation, all trim board surfaces exposed by jobsite field cuts must be reprimed. In wet climates, also treat field cuts with a paintable water repellent preservative and a latex top coat.

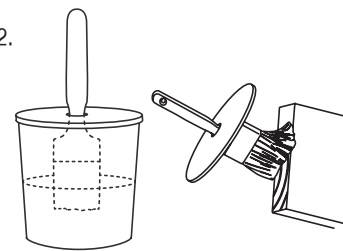
TIPS TO STREAMLINE PRIMING YOUR CUTS:

1.



1. Set up a priming station at the jobsite

2.

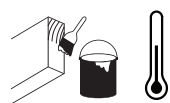


2. The Katz trick: A plastic yogurt container can be a great way to store your primer & keep your brush from drying out.

16. PRIME ALL CUTS (continued)

RE-PRIMING JOBSITE CUTS

Unprotected cuts of any wood product absorbs water, (even faster on vulnerable end grain). 100% acrylic-latex primer is acceptable as long as it is able to properly cure according to the primer manufacturer's instructions. However, where temperatures drop below 50 degrees Fahrenheit either during application or within the curing period, use an alkyd oil wood primer to coat all jobsite cuts. Trim Boards with cuts coated with alkyd oil primer can be installed before drying without compromising the coating's effectiveness. Above 50 degrees, a high quality 100% acrylic-latex primer will suffice to coat exposed end grain if allowed to dry before installation. With either primer, follow manufacturer's recommendations.



>50° 100% acrylic-latex primer
<50° alkyd oil wood primer

Allow to cure to manufacturers' instructions before installation.

NOTE IF <35° *In colder weather (below 35° F), follow these steps:*

- Precut the trim and take it into a heated building where the temperature is maintained above 50° Fahrenheit.
- Ensure the trim is dry and then prime the cuts with a 100% acrylic-latex primer.
- Allow the re-primed trim to dry overnight and then proceed with installation.

17. PAINTING THE TRIM



Paint with:

HIGH QUALITY EXTERIOR ACRYLIC LATEX

Do it within

90 DAYS, BUT NO LATER THAN 1 YR

Surface must be

FREE OF DUST, DIRT, MILDEW

Paint WindsorONE Trim Boards with two coats of high-quality, 100% acrylic-latex exterior paint as soon as possible after installation, preferably within 90 days but no later than 1 year after installation, according to industry best practices. The surface must be free of dust, dirt or mildew before painting. Wash away any foreign material with water and a mild detergent, and allow the surface to dry before painting. Apply paint according to manufacturer's specifications and recommended spread rates and number of coats. Do not use paints with vinyl-based resin combinations. Brush application of primers and top-coats ensures best coverage and protection.



CAUTION:

Wood dust produced by sawing, sanding, or machining wood and wood products can be hazardous.

- Wood dust is flammable and presents a possible explosion hazard.
- Wood dust may cause respiratory, eye, and skin irritation.
- Wood dust from some tree species may cause dermatitis or allergic response.
- The International Agency for Research on Cancer (IARC) classifies wood dust as a nasal carcinogen in humans.
- The National Toxicology Program (NTP) classifies wood dust as a human carcinogen.

II. MAINTENANCE

Instructions for WindsorONE+® Protected Trim Boards & WindsorONE® Traditional Trim Boards

No home is maintenance-free. Every building is subject to wear and tear from weather conditions and occupant usage. All building components have a design service life, which may be affected by environmental conditions and installation and maintenance measures. All building components require regular inspections and scheduled maintenance to maximize their performance and service life. The maintenance instructions set out below provide some guidelines for such inspections and maintenance. Windsor Surry Company & Windsor Willits Comany's limited warranty is conditional upon the homeowner having undertaken proper maintenance on both WindsorONE Trim Boards and other components of the exterior envelope which are integral in water control. If any damage to trim occurs due to the homeowner's failure to follow proper maintenance procedures, or to mitigate any damage, including damage caused by water penetration, the damage is excluded from warranty coverage.



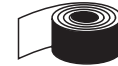
EXTERIOR PAINT:

Exterior paint is applied primarily to protect the wood substrate. Paint coatings increase the durability of the Trim and must be checked annually for wear including cracking and peeling. Damage to the paint film must be corrected immediately. Trim installed on the south and west sides are subject to the most weathering, and dark or bright colors fade more rapidly on these exposures. Wood siding and trim require re-coating whenever the surface begins to fade, discolor, or peel. WindsorONE Trim Boards should be repainted in accordance with the paint manufacturer's written instructions. Trim should be painted with the best available exterior acrylic latex coating applied at the manufacturer's recommended spread rates.



CLEANING:

Remove dirt from the trim with a mild detergent, a gentle brush and a garden hose. Never use a pressure washer to clean the trim. Excessive water pressure can cause damage to the surface of the wood, and force water into the wall cavity. Over time, mildew and moss can grow on a shaded surface on any type of trim. A mild solution of bleach and water may remove this growth. Wall surfaces should be washed from the bottom upwards, otherwise the lower portions of the wall will become excessively stained as they absorb the contaminants washing down from above.



FLASHING:

Flashing redirects water away from the face of the building and allows water to drain from behind the exterior wall finish. Flashing is normally installed at junctions of dissimilar materials and above door and window openings. Flashing may also be installed at each floor level to anticipate movement in the exterior finish as the building settles. Flashing requires periodic washing to remove grime and re-painting if corrosion of metal appears. Upon installation, flashing is sloped downwards to the outer edge in order to drain water. If, with building settlement, flashings begin to slope upward towards the building, repairs should be made to correct the slope which, ideally, should be 30°.



NAILS:

Rusty nails indicate one of the following:

- 1- That the wrong nails were used.
- 2- The protective coating of the nail has broken down.
- 3- The wood is being subjected to prolonged periods of water.*

*If water is soaking into the wood trim, the moisture source must be eliminated and the trim checked for water damage. If the trim was installed by counter sinking nails, the putty used to fill nail holes should also be checked. If it has fallen out, the holes must be filled with an exterior grade wood putty designed for filling exterior nail holes. Rust should be scraped & a corrosion resistant coating should be applied to the nail heads. After it has dried, the holes should be filled.



SEALANTS:

Flexible sealing compounds are referred to as caulking. Caulking is used to seal gaps between dissimilar materials on the building exterior and to seal gaps or joints in exterior finishes. Buildings normally experience some settlement/shrinkage of the building components which, in turn, cause settlement of flashing and damaged caulking. These areas should be immediately corrected as failure to do so will likely lead to

water ingress into the building envelope. As a building moves during settlement, the caulking experiences considerable stress. Since caulking helps keep water out of the building envelope, it should be examined annually before the wet weather arrives. Any cracked, damaged, or loose caulking should be removed and replaced with exterior grade high-performance acrylic-latex, silicone, acrylic, or urethane caulks or sealants.

General Site Maintenance:

The building envelope is comprised of components and materials which separate and protect the interior of the building from adverse climate conditions such as water penetration, or heat and air flow. Exterior wood trim is only one component of the building envelope, but its optimal performance can depend on the entire building having been properly maintained.

Exterior paint failure or decay in wood trim & siding is usually caused by water penetration, which may result from improper installation (see instructions above), or negligent maintenance (e.g., failure to repaint or maintain as described in this section).



WINDOWS:

The flashing and caulking used to prevent water from entering behind the window and trim should be checked annually. Most window designs incorporate a drainage track at the bottom of the window to collect any water. These tracks have weep holes to the outside to drain this water. These holes must be kept clean and can be maintained with a short piece of wire or a cotton swab.



DOORS:

Exterior doors are exposed to weather conditions and extreme temperature variations from inside to outside that can harm the door surface and its surrounding components. The flashing and caulking used to prevent moisture from entering behind door trim should be checked annually.



GUTTERS & DOWNSPOUTS:

Gutters are installed at the roof perimeter to control the runoff of water. Gutters also prevent water from collecting at the foundation wall where it could seep into the basement or splash onto the wall surface. If gutters or down pipes are clogged with debris or ice, water damage can occur. Twice a year, check gutters, roof drains and downspouts for obstructions such as leaves and moss.



ROOF:

Trim used around and on the roof should be checked to ensure it is not absorbing water due to inadequate clearances or snow loads. All penetrations through the roof such as skylights, plumbing stacks, vents, etc., need to be checked annually and resealed as necessary.

Snow melting on the roof and then freezing in runoff at un-insulated roof eaves can lead to ice damming which, in turn, causes water to back up under shingles and results in a leak inside. When ice dams occur, the snow and ice should be removed from eaves and valleys.



SITE DRAINAGE & GRADING:

Water should not be allowed to pool against foundation walls. Site drainage patterns, such as sloping the soil away from the building, can prevent surface water from pooling against foundation walls. Flowerbeds should be graded so as not to interfere with drainage. A minimum clearance of 6 inches should separate the ground and the bottom of exterior wall cladding. Never allow soil or gravel to come in contact with exterior wood materials or finishes of the building. Review and adjust the spray pattern of sprinkler systems regularly to prevent spray onto walls.



VENTILATION, CONDENSATION & RELATIVE HUMIDITY

The optimum year-round relative humidity level within residences is approximately 50%. Due to seasonal variations, this level is difficult to maintain without specialized equipment. Building Code standards require sealing the building against incidental leakage of warm air to the outdoors. Warm air holds moisture in suspension until contact with cold surfaces causes condensation, which may then lead to mold or mildew and moisture penetration into adjacent wood. Control of humidity and condensation requires proper heating and ventilation to exchange warm moist air for dry cool air from the outdoors.



CORNER BOARDS:

Check them to ensure that all joints are tight and waterproofed & that there is no water damage on the ends where the trim is in proximity to decks, concrete or landscaping.

III-A. LIMITED WARRANTY ON WindsorONE® PROTECTED TRIM BOARDS



CHECK THE INK STAMP, WindsorONE® Protected Trim Boards are identified by the stamp (“WindsorONE Protected” or “WindsorONE+ Protected”) on the back. (For the limited warranty on WindsorONE® Traditional Trim Boards see pg. 23)

IMPORTANT!

The limited warranty and exclusive remedy below cover WindsorONE® Protected Trim Boards that have been

installed & maintained in accordance with the written instructions above.

The limited warranty is offered only on the conditions stated herein, and the remedies stated herein are the exclusive remedies for any alleged breach thereof or any other product complaint. Failure to install or maintain WindsorONE® Protected Trim Boards according to the above written instructions will affect performance and void the limited warranty. WindsorONE® Protected Trim Boards are supplied for use as trim, fascia and other trim applications in single residences and larger commercial buildings. These wood Trim Boards are finger-jointed, glued, treated with Woodlife is Inside® wood-protecting materials supplied by Kop-Coat, Inc., and then primer-coated for exterior exposures. Windsor Surry Company protects its WindsorONE® Protected Trim Boards with Kop-Coat materials for additional protection against fungal decay and termite damage.

SUBJECT TO:

the conditions, exclusions and exclusive remedy below, Windsor Surry Company and affiliates make the following limited warranty of its WindsorONE® Protected Trim Board products:

30-year limited warranty against decay & termites:

Windsor Surry Company and affiliates offer a limited warranty against fungal decay and termite attack of its WindsorONE® Protected Trim Boards to the original purchaser/occupant (“first owner”) thereof: For 30 years after initial purchase, should any WindsorONE® Protected Trim Boards that have been installed and maintained according to WindsorONE Exterior Trim Board Installation & Maintenance Manual become structurally unserviceable due to fungal decay or termite damage, Windsor Surry Company will provide replacement product without charge. This limited warranty shall expire 30 years from the purchase date, does not cover installation or other costs, and is available only to the first owner.

10-year limited warranty of glued joints:

Windsor Surry Company and its affiliates offer a limited warranty of the glued joints of its WindsorONE® Protected Trim Boards; for 10 years after initial purchase, should any WindsorONE® Protected Trim Board that has been installed and maintained according to WindsorONE® Protected written instructions incur glued joint failure that damages its structural serviceability, Windsor Surry Company will provide replacement product without charge. This limited warranty shall expire 10 years from date of purchase, does not cover installation or other costs, and extends only to the first owner.

5-year limited warranty of primer:

Windsor Surry Company also extends a separate limited warranty of the primer coating of its WindsorONE® Protected Trim Boards to the first owner thereof. For 5 years after initial purchase, should any WindsorONE® Protected Trim Board that has been installed and maintained according to WindsorONE Exterior Trim Board Installation & Maintenance Manual incur paint primer peeling, Windsor Surry Company will provide suitable primer and topcoat for repair. This limited warranty shall expire 5 years from the date of purchase, does not cover application or other costs, and extends only to the first owner.

Conditions for limited warranty:

For the limited warranty to apply, (i) the subject WindsorONE® Protected Trim Board must have been installed and maintained according to WindsorONE® Protected written instructions, (ii) the first owner must contact Windsor Surry Company immediately upon discovery of the condition and provide an invoice to verify their purchase and the product's origin of manufacture, (iii) provide photographs depicting the concern, and (iv) if Windsor Surry Company deems necessary, must also allow Windsor Surry Company's agent to enter the property and inspect the structure to examine, photograph and sample the damaged product.

Exclusions from limited warranty:

The Limited Warranty does not cover:

- a) Any WindsorONE® Protected Trim Board which is installed despite signs of damage, such as glue failure, or surface or coating imperfections which may impact performance;
- b) Normal weathering, wear & tear, deterioration or deflection;
- c) Shrinkage of materials caused by drying after construction;
- d) Materials and labor required for a design change;
- e) Any damage that is caused by a homeowner or Third Party, including:
 - (i) negligent or improper installation or maintenance;
 - (ii) damage caused by rodents or other living creatures;
 - (iii) damage from accidental occurrences including fire, explosion, smoke, water escape, glass breakage,

windstorm, hail, lightning, falling trees, aircraft, vehicles, flood, earthquake, avalanche, landslide, and changes in underground water table;

(iv) defects in materials or work from anyone other than Windsor Surry Company;

f) Diminution in the value of the building;

g) Landscaping, both hard and soft, including plants, fencing, detached patios, gazebos and similar structures;

h) Damage to trim on non-residential detached structures including sheds, garages, carports, boathouses or other structures not an integral part of a residence; or

i) Any damage caused by the failure to take reasonable and timely steps to prevent or mitigate damages;

j) Or labor to repair or replace the damaged WindsorONE® Protected Trim Boards.

Remedy:

SUCH REPLACEMENT OF DEFECTIVE BOARD OR PAINT IS THE EXCLUSIVE REMEDY FOR THIS LIMITED WARRANTY. WINDSOR SURRY COMPANY SHALL NOT, UNDER ANY CIRCUMSTANCES, BE LIABLE FOR ANY DIRECT, INDIRECT, SPECIAL, INCIDENTAL, CONSEQUENTIAL OR OTHER DAMAGES DUE TO DEFECT OR FAILURE OF ITS PRODUCTS, OR FAILURE OF ANY PRODUCTS OF ANY SUPPLIER OF MATERIALS OR EQUIPMENT TO WINDSOR SURRY COMPANY. EXCEPT FOR THE SPECIFIC LIMITED WARRANTY ABOVE, WINDSOR SURRY COMPANY AND ITS AFFILIATES GIVE NO OTHER WARRANTIES, EXPRESS OR IMPLIED, INCLUDING ANY IMPLIED WARRANTY OF MERCHANTABILITY OR FITNESS FOR PARTICULAR PURPOSE, WHICH ARE HEREBY EXPRESSLY DISCLAIMED AND EXCLUDED.

The above constitutes an exhaustive statement of the limited warranty by, and remedies against, Windsor Surry Company and affiliates for WindsorONE® Protected Trim Boards. No agent or employee of Windsor Surry Company, its affiliates, distributors or sales agencies are authorized to make any different statement or warranty than as stated above. Any statement to the contrary is void. This warranty is effective May 9, 2014 and supersedes all previously published warranties for WindsorONE® Protected Trim Boards.

note:

† WindsorONE® Protected Trim Boards includes products also labeled as "WindsorONE+® Protected" Trim Boards.

III-B. LIMITED WARRANTY ON WindsorONE® TRADITIONAL TRIM BOARDS



WindsorONE® Traditional Trim Boards are identified by the stamp ("WindsorONE" or "WindsorONE Traditional") on the back. (WindsorONE® Protected Trim Boards are identified by the stamp "WindsorONE Protected" or "WindsorONE+ Protected" on the back. For the limited warranty on WindsorONE+® Protected Trim Boards see pg. 21)

IMPORTANT!

The limited warranty and exclusive remedy below cover WindsorONE® Traditional Trim Boards that have been

installed & maintained in accordance with the written instructions above.

The limited warranty is offered only on the conditions stated herein, and the remedies stated herein are the exclusive remedies for any alleged breach thereof or any other product complaint. Failure to install or maintain WindsorONE® Traditional Trim Boards according to the written instructions herein will affect performance and void the limited warranty. WindsorONE® Traditional Trim Boards are supplied for use as trim, fascia and other trim applications in single residences and larger commercial buildings. These Trim Boards are finger-jointed, glued, and then primer-coated for exterior exposures. No additional wood-protecting materials are applied to these WindsorONE® Traditional Trim Boards.

SUBJECT TO:

the conditions, exclusions and exclusive remedy below, Windsor Willits Company makes the following limited warranty of its WindsorONE® products:

10-year limited warranty of glued joints:

Windsor Willits Company and affiliates offer a limited warranty of the glued joints of its WindsorONE® Traditional Trim Boards; for 10 years after initial purchase, should any WindsorONE® Traditional Trim Board that has been installed and maintained according to WindsorONE Exterior Trim Board Installation & Maintenance Manual incur glued joint failure that damages its structural serviceability, Windsor Willits Company will provide replacement product without charge. This limited warranty shall expire 10 years from date of purchase, does not cover installation or other costs, and extends to the original purchaser/occupant ("first owner") only.

5-year limited warranty of primer:

Windsor Willits Company and affiliates also extend a separate limited warranty of the primer coating of its WindsorONE® Traditional Trim Boards to the first owner thereof. For 5 years after initial purchase, should any WindsorONE® Traditional Trim Board that has been installed and maintained according to WindsorONE® written instructions incur paint primer peeling, Windsor Willits Company will provide suitable primer and topcoat for repair. This limited warranty shall expire 5 years from the date of purchase, does not cover application or other costs, and extends only to the first owner.

Conditions for limited warranty:

For the limited warranty to apply, (i) the subject WindsorONE® Traditional Trim Board must have been installed and maintained according to WindsorONE Exterior Trim Board Installation & Maintenance Manual, (ii) the first owner must contact Windsor Willits Company immediately upon discovery of the condition and provide an invoice to verify their purchase and the product's origin of manufacture, (iii) provide photographs depicting the concern, and (iv) if Windsor Willits Company deems necessary, must also allow Windsor Willits Company's agent to enter the property and inspect the structure to examine, photograph and sample the product.

Exclusions from limited warranty:

The Limited Warranty does not cover:

- a) Any WindsorONE® Traditional Trim Board which is installed despite signs of damage, such as glue failure, or surface or coating imperfections which may impact performance;
- b) Normal weathering, wear & tear, deterioration or deflection;
- c) Normal shrinkage of materials caused by drying after construction;
- d) Materials and labor required for a design change;
- e) Any damage that is caused by a homeowner or Third Party, including:
 - (i) negligent or improper installation or maintenance;
 - (ii) damage caused by rodents or other living creatures;
 - (iii) damage from accidental occurrences including fire, explosion, smoke, water escape, glass breakage, windstorm, hail, lightning, falling trees, aircraft, vehicles, flood, earthquake, avalanche, landslide, and changes in underground water table;
 - (iv) defects in materials or work from anyone other than Windsor Willits Company;
- f) Diminution in the value of the building;
- g) Landscaping, both hard and soft, including plants, fencing, detached patios, gazebos and similar structures;
- h) Damage to trim on non-residential detached structures including sheds, garages, carports, boathouses or other

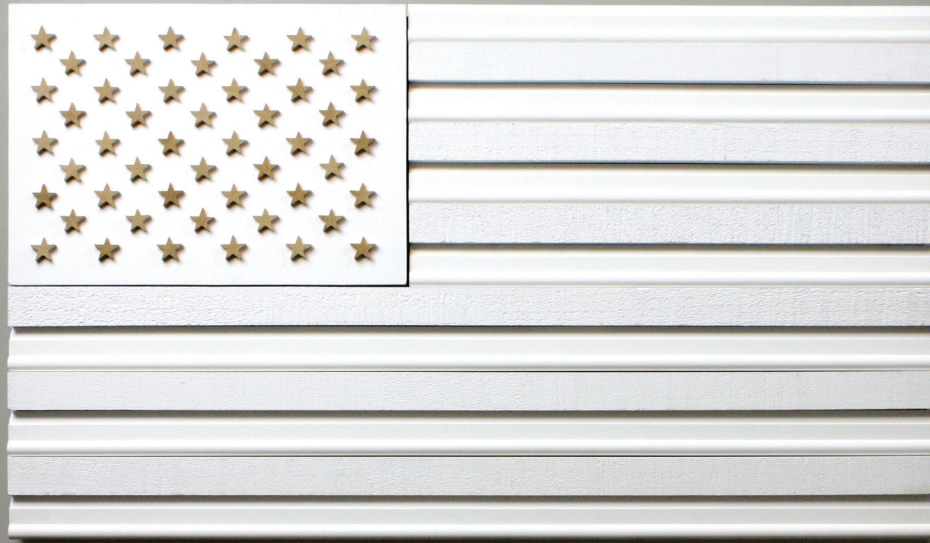
structure not an integral part of a residence; or

- i) Any damage caused by the failure to take reasonable or timely steps to prevent or mitigate damages;
- j) Or labor to repair or replace the damaged WindsorONE® Traditional Trim Boards.

Remedy:

SUCH REPLACEMENT OF DEFECTIVE BOARD OR PAINT IS THE EXCLUSIVE REMEDY FOR THIS LIMITED WARRANTY. WINDSOR WILLITS COMPANY SHALL NOT, UNDER ANY CIRCUMSTANCES, BE LIABLE FOR ANY DIRECT, INDIRECT, SPECIAL, INCIDENTAL, CONSEQUENTIAL OR OTHER DAMAGES DUE TO DEFECT OR FAILURE OF ITS PRODUCTS, OR FAILURE OF ANY PRODUCTS OF ANY SUPPLIER OF MATERIALS OR EQUIPMENT TO WINDSOR WILLITS COMPANY. EXCEPT FOR THE SPECIFIC LIMITED WARRANTY ABOVE, WINDSOR WILLITS COMPANY AND ITS AFFILIATES GIVE NO OTHER WARRANTIES, EXPRESS OR IMPLIED, INCLUDING ANY IMPLIED WARRANTY OF MERCHANTABILITY OR FITNESS FOR PARTICULAR PURPOSE, WHICH ARE HEREBY EXPRESSLY DISCLAIMED AND EXCLUDED.

The above constitutes an exhaustive statement of the limited warranty by, and remedies against, Windsor Willits Company and affiliates for WindsorONE® Traditional Trim Boards. No agent or employee of Windsor Willits Company, its affiliates, distributors or sales agencies are authorized to make any different statement or warranty than as stated above. Any statement to the contrary is void. This warranty is effective Mar 01, 2022 and supersedes all previously published warranties for WindsorONE® Traditional Trim Boards.



BUILD  AMERICA

— *WindsorONE is MANUFACTURED IN THE U.S.A.* —

HEALTH  STARTS AT HOME

— *NO ADDED UREA-FORMALDEHYDE* —

CRAFTSMANSHIP  PAYS

REDUCE DOWNFALL IN YOUR LUMBER BINS & ON THE JOBSITE

— *Every piece is STRAIGHT TIGHT & TRUE* —

WindsorONE.com/install

More resources including videos, tips, warranty info & more.

WindsorONE EXTERIOR TRIM BOARD INSTALLATION & MAINTENANCE MANUAL

WindsorONE.com, call us at: 888.229.7900 ©WindsorONE 2022 (03.01.2022)